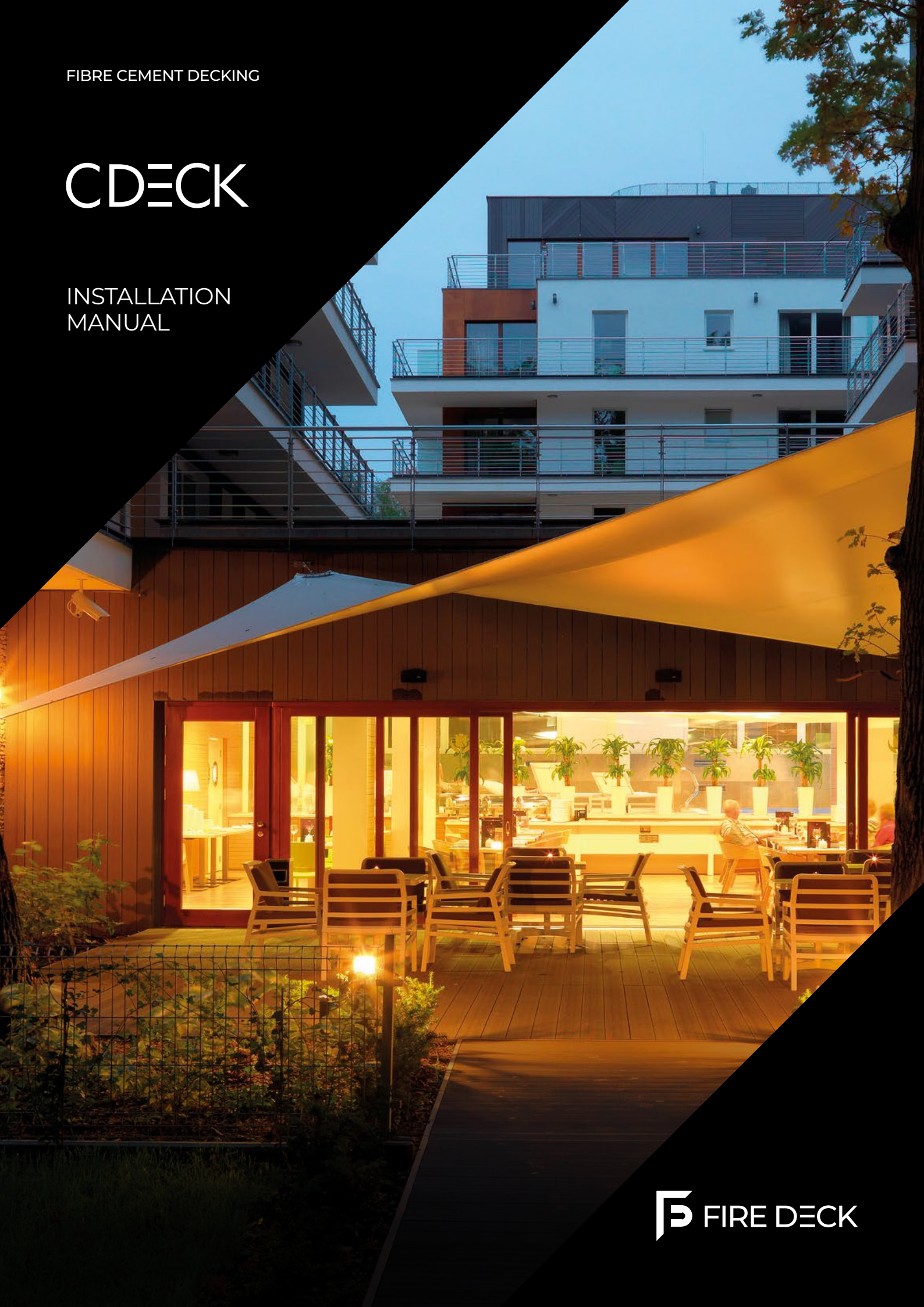


FIBRE CEMENT DECKING

CDECK

INSTALLATION
MANUAL



Please read through the entire installation manual before making a start.

Getting Started

You must take all normal safety precautions during the installation and handling of your FIRE DECK Fire Rated Decking. When using power tools it is essential to follow the manufacturers instructions regarding safety, We also recommend wearing a dust mask, safety goggles and all other Personal Protection Equipment (PPE).

PERSONAL PROTECTION EQUIPMENT (PPE)



SAFETY GOGGLES



DUST MASK



SAFETY GLOVES

TOOLS



DRILL



CIRCULAR SAW

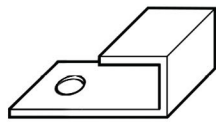


CHOP SAW



RUBBER Mallet

COMPONENTS



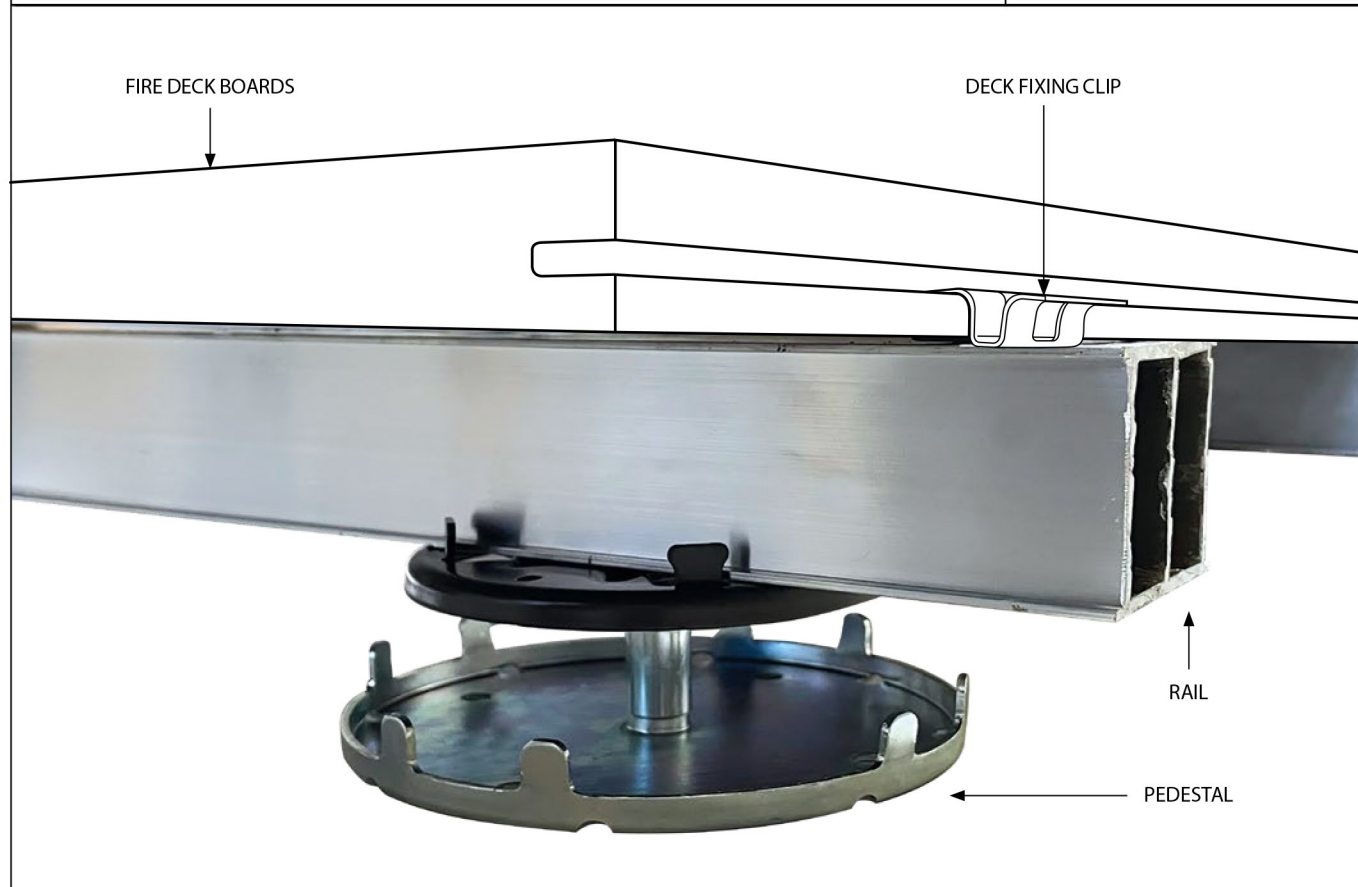
START/FINISH CLIP



SCREW



DECK FIXING CLIP



Subframe

FIRE DECK Fire Rated Decking can be installed onto any of the following;

- Timber (Treated softwood or hardwood)
- PVCu or Composite Joists
- Aluminium Joists

Please consult the manufacturers for fitting instructions regarding the subframe.

You will require 5mm per metre fall on the subframe. A maximum span of 400mm is required between the first and second support joists, this also applies to the second to last and last joists (see diagram 1)

- A maximum of 400mm centres is recommended for all other support beams
- A maximum overhang of 150mm is permitted for the ends of the deck

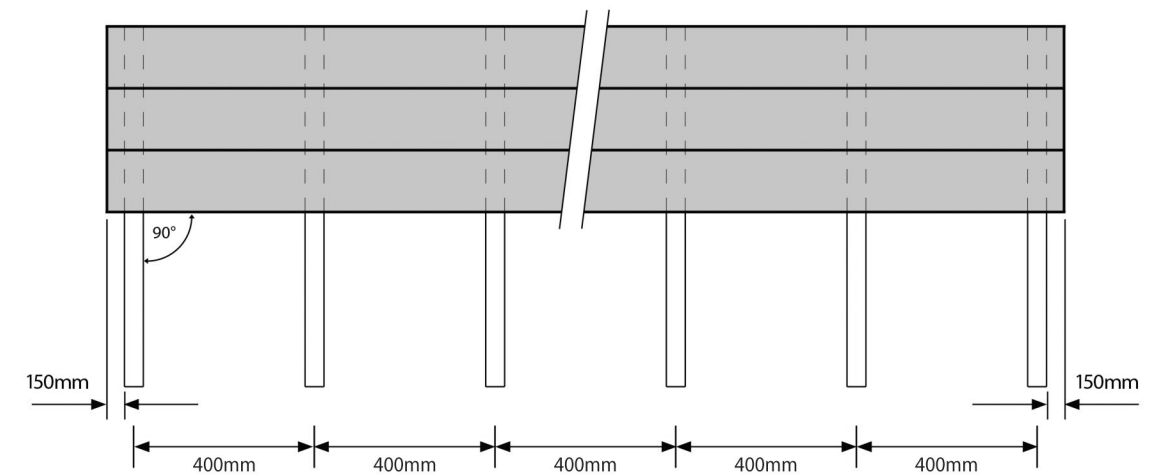


DIAGRAM 1

Installing your deck

Once the sub frame is built and fixed into place you are ready to start installing your FIRE DECK Fire Rated Decking Boards. To begin you will need to lay a row of Start/Finish Clips along the first run of your subframe for the first row of boards to fit into (see diagram 2)

From the first support batten on the subframe the Start/Finish Clips should be spaced apart at 400mm maximum.

Once down the clips will allow an easy starting point for your decking and will hold the first row of boards in place.

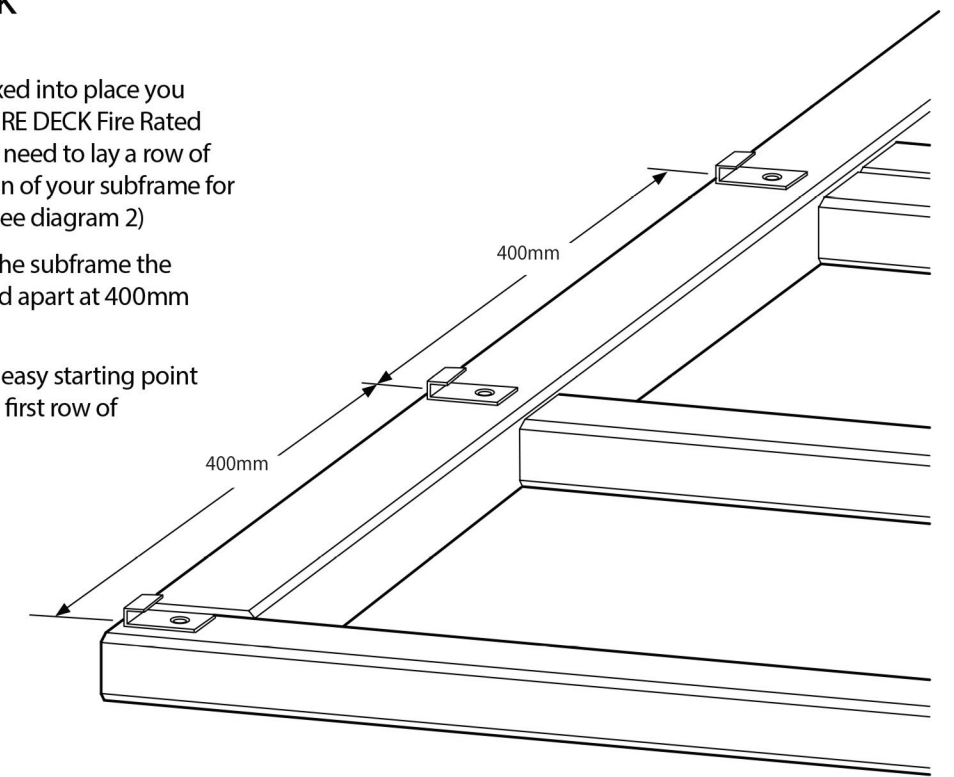


DIAGRAM 2

Installing your deck

Using the screws provided fix the Start/Finish Clips to the support joists.

Your Start/Finish Clips will also need to be in line with each other.

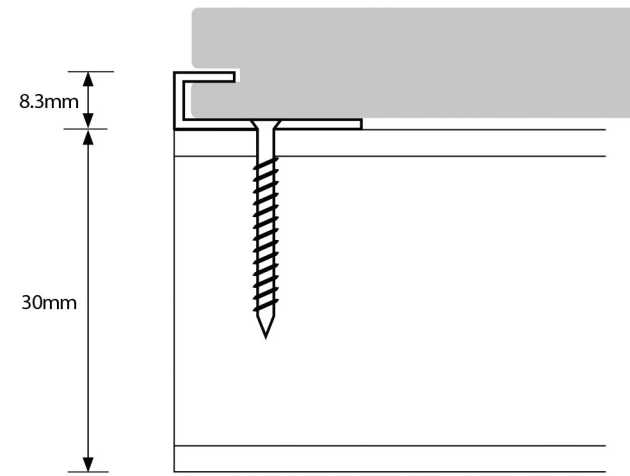


DIAGRAM 3

Once your Start/Finish Clips are in place it is time to lay your first row of FIRE DECK Boards, to do this you simply slide your FIRE DECK Boards into the clips as shown below. If there is any resistance at all you may need to give the boards a gentle tap with a mallet and tapping block, repeat this until all boards are in the desired position and fit flush inside the Start/Finish Clips.

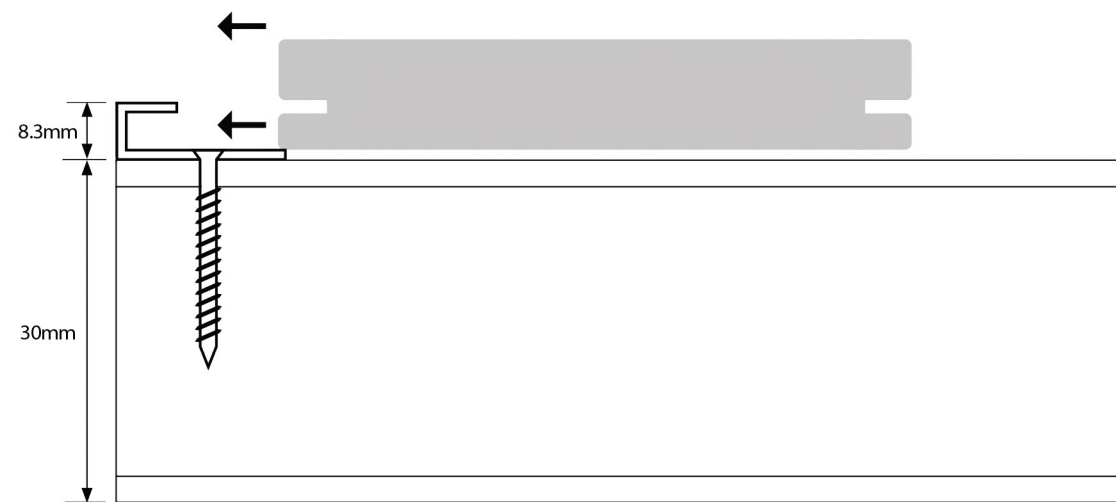


DIAGRAM 4

Please Note

A maximum overhang of 150mm is allowed at the end of the FIRE DECK Boards, and all FIRE DECK Boards should span a minimum of three support joists on the sub frame (see diagram 5)

It is important to follow these guidelines as failure to do so could result in a faulty deck.

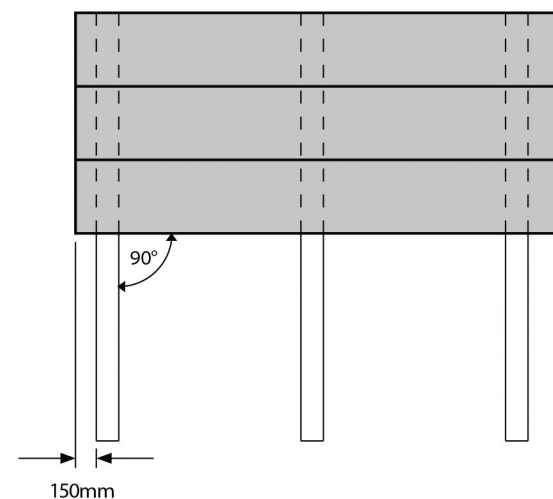


DIAGRAM 5

Installing your deck

When the first row of boards are in position (see diagram 4) you will need to place a Deck Fixing Clip into the groove of the FIRE DECK Boards and insert two screws above each joist (see diagram 6), taking care not to tighten the screws too much at this point. You will need to ensure the correct position before you can fully tighten the screws. And repeat this process for all other Deck Boards.

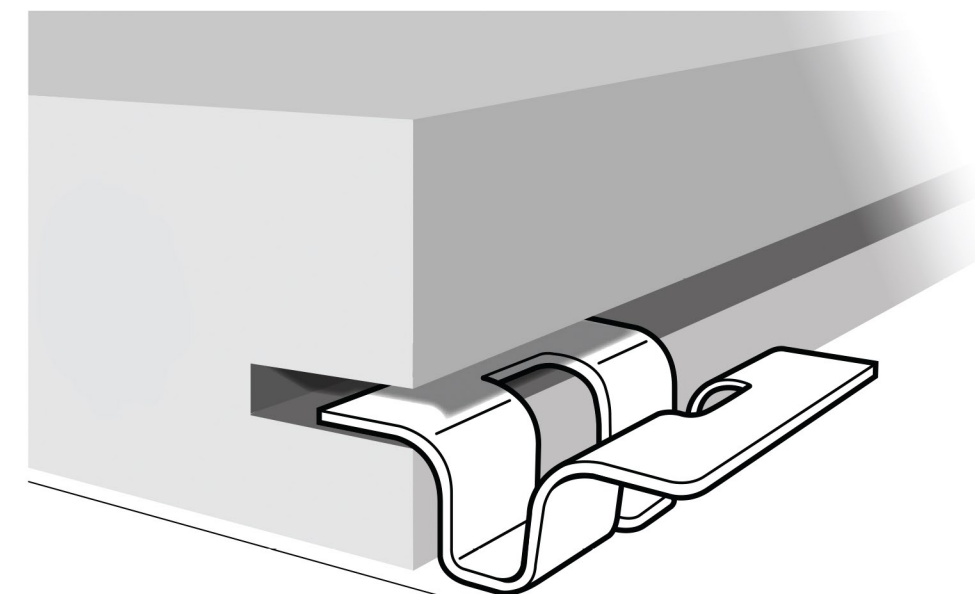
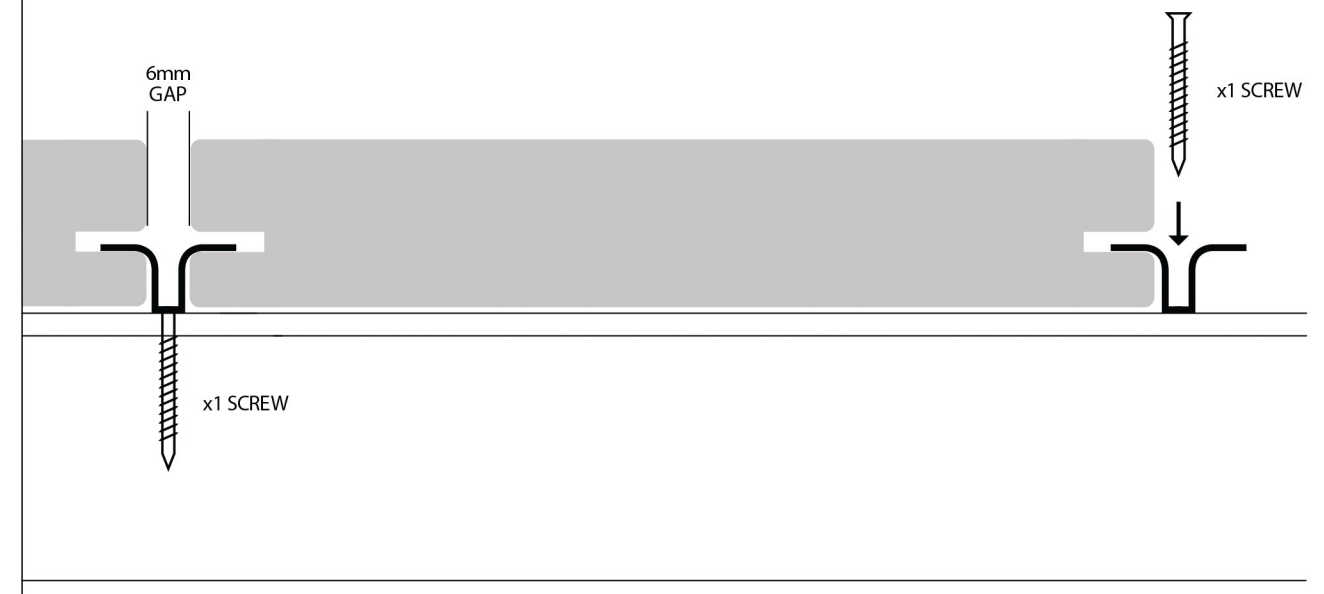
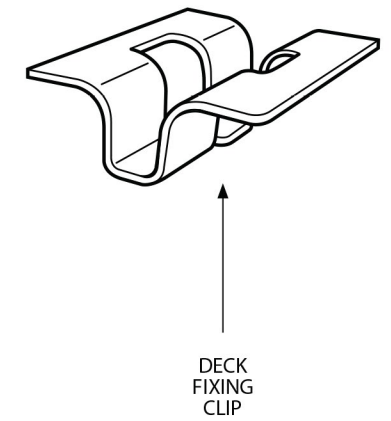
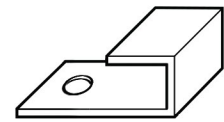


DIAGRAM 6

Installing your deck

Before installing the last row of FIRE DECK Boards you will need to again install a row of Start/Finish Clips. First you will need to fix the clip to the support batten with the screw, taking care not to tighten too much, you need to make sure that to begin with the back edge of the clip is flush with the edge of the support batten (see diagram 7) You then need to pull the Start/Finish Clip back as far as it will go (see diagram 8).



START/FINISH CLIP

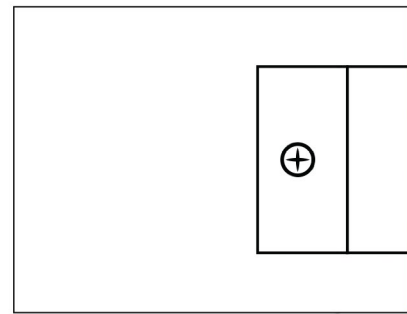
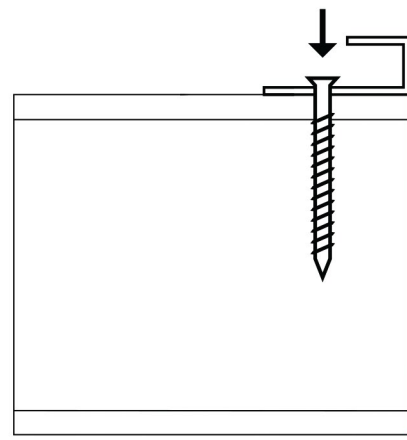


DIAGRAM 7

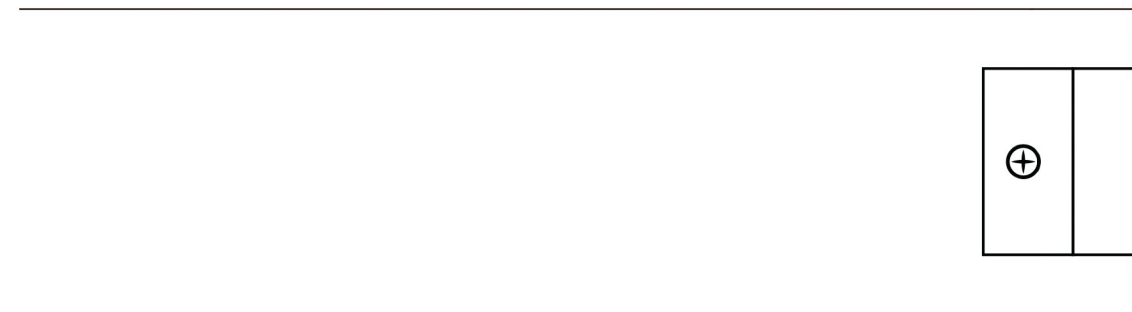
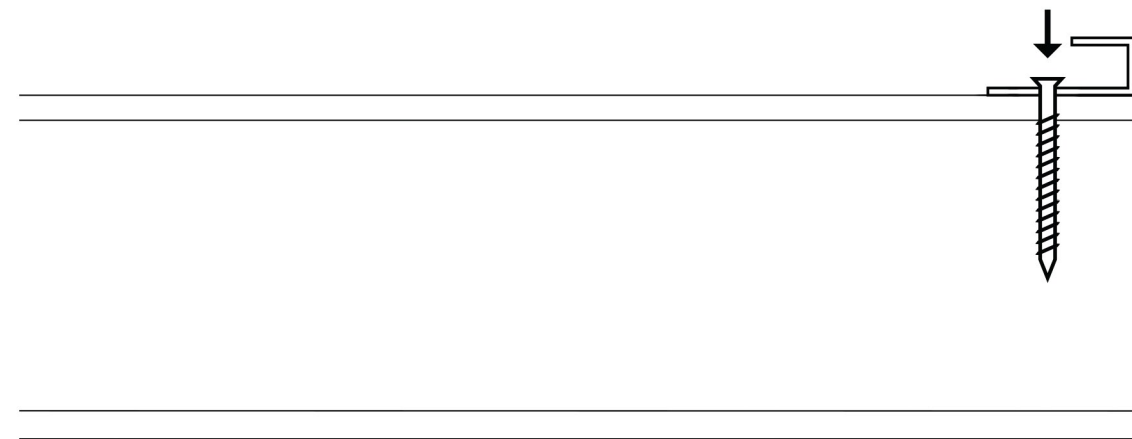
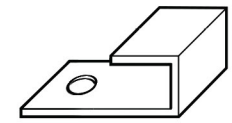


DIAGRAM 8

Installing your deck

Now tighten the screw on the Start/Finish Clips just a little bit more before placing your last row of FIRE DECK Boards. Once this has been done you can place your FIRE DECK Boards (see diagram 9). When you are happy that your last row of FIRE DECK Boards are in position you can tighten the screws along the last row of Deck Fixing Clips. To finish, using a mallet and tapping block, you will need to gently tap the Start/Finish Clips to grip the back edge of the FIRE DECK Boards (see diagram 10)



START/FINISH CLIP

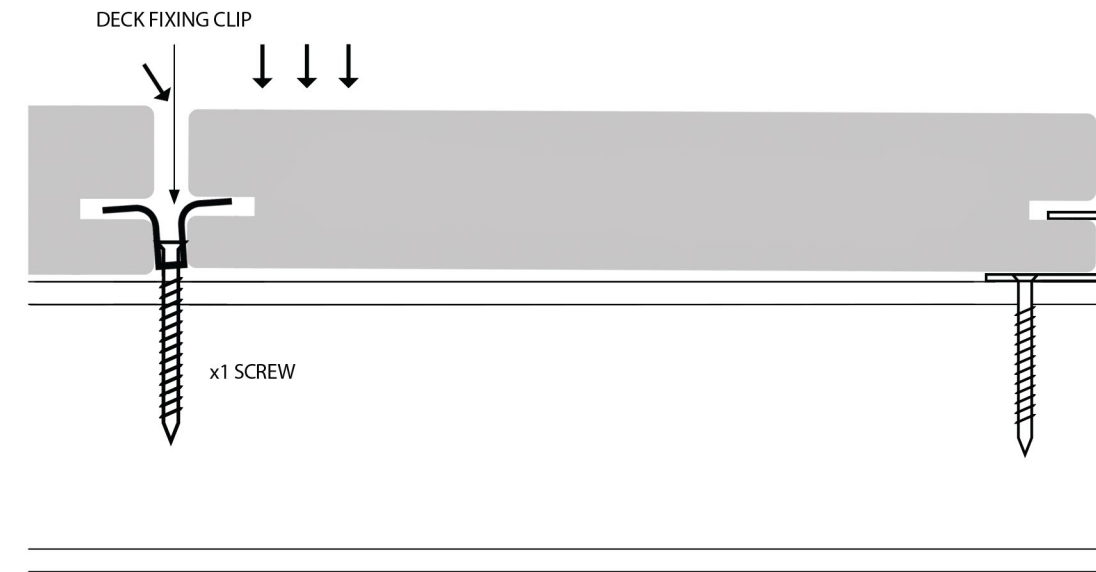


DIAGRAM 9

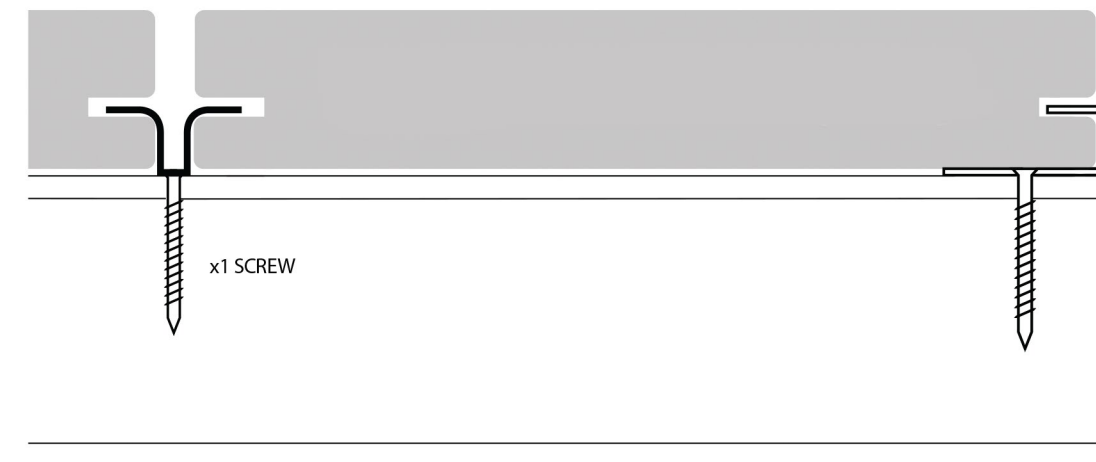


DIAGRAM 10



FIRE DECK

Unit 18 Smeaton Road Portway West Business Park
Andover Hampshire SP10 3LF

T 01264 359984

www.firedeck.uk

EXADECK reserves the right to partially or totally cancel or modify any of the colours, formats, references and technical specifications contained in this catalogue. The colours reproduced in this catalogue are intended as a guide and may vary in the original piece. The price codes, measures and references must be verified as there may be typographical errors.