



### FIRE PROOF A1 RATED NON-COMBUSTIBLE DECKING

**WDa20191225001a4**

**2440 x 200 x 25mm**

**TEST ITEM**

5 minutes. Uniform load test:  
The vertical downward uniform load is applied to two trestle slab specimens, and the load is loaded to failure at different stages for five minutes. The deformation in the middle span position is read and the failure condition of the specimen is recorded.

**BRIEF DESCRIPTION OF THE DEVICE**

The two trestle plate specimens are carried together, the trestle plate is fastened and installed on the skeleton with self-tapping screws, the skeleton is fastened to the rigid support, the test net span is 400mm, and the test surface width is 200x2 = 400mm. Install the meter at both ends of the middle bottom of the specimen and the data of sinking deformation is read.

**TEST RESULTS**

Applied Load Value (Kilos)	Applied Load Value (kN)	Average Value of Mid-span Deformation (m m)
0.00	0.00	0.00
101.97	1.00	0.187
203.94	2.00	0.355
305.91	3.00	0.529
407.89	4.00	0.716
509.86	5.00	0.912
611.83	6.00	1.116
713.80	7.00	1.307
815.77	8.00	1.498
866.76	8.50	1.593
917.74	9.00	1.687
968.73	9.50	1.825
1019.72	10.00	1.946
1070.70	10.50	2.068
1121.69	11.00	2.199
1172.67	11.50	2.333
1223.66	12.00	2.489
1274.65	12.50	2.625
1325.63	13.00	2.826
1331.75	13.06	Termination of Trial

**FIRE DECK**

Unit 18 Smeaton Road, Portway West Business Park,  
Andover, Hampshire, SP10 3LF t 01264 359984  
www.firedecking.co.uk

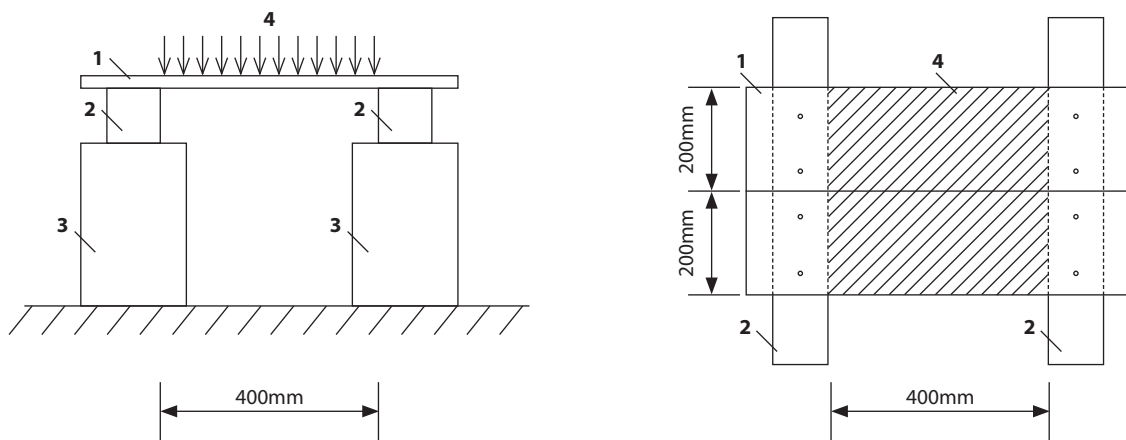


# CDECK

## LOAD TEST

PAGE 2 OF 2

### TEST LOADING SCHEMATIC DIAGRAM

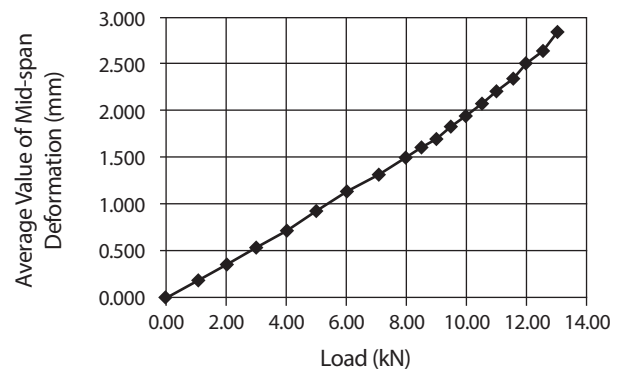


1-Trestle Board Specimen. 2-Skeleton. 3-Rigid Support. 4-Uniform Load.



TEST PICTURE  
Measured failure load

### SPECIMEN LOAD - DEFORMATION CURVE GRAPH



### FIRE DECK

Unit 18 Smeaton Road, Portway West Business Park,  
Andover, Hampshire, SP10 3LF t 01264 359984  
www.firedecking.co.uk

