



FIRE PROOF A1 RATED NON-COMBUSTIBLE DECKING

WDa20191225001a4

2440 x 190 x 25mm

TEST ITEM

5 minutes. Uniform load test:
The vertical downward uniform load is applied to two trestle slab specimens, and the load is loaded to failure at different stages for five minutes. The deformation in the middle span position is read and the failure condition of the specimen is recorded.

BRIEF DESCRIPTION OF THE DEVICE

The two trestle plate specimens are carried together, the trestle plate is fastened and installed on the skeleton with self-tapping screws, the skeleton is fastened to the rigid support, the test net span is 400mm, and the test surface width is 190x3 = 380mm. Install the meter at both ends of the middle bottom of the specimen and the data of sinking deformation is read.

TEST RESULTS

| Applied Load Value (Kilos) | Applied Load Value (kN) | Average Value of Mid-span Deformation (m m) |
|----------------------------|-------------------------|---|
| 0.00 | 0.00 | 0.00 |
| 101.97 | 1.00 | 0.187 |
| 203.94 | 2.00 | 0.355 |
| 305.91 | 3.00 | 0.529 |
| 407.89 | 4.00 | 0.716 |
| 509.86 | 5.00 | 0.912 |
| 611.83 | 6.00 | 1.116 |
| 713.80 | 7.00 | 1.307 |
| 815.77 | 8.00 | 1.498 |
| 866.76 | 8.50 | 1.593 |
| 917.74 | 9.00 | 1.687 |
| 968.73 | 9.50 | 1.825 |
| 1019.72 | 10.00 | 1.946 |
| 1070.70 | 10.50 | 2.068 |
| 1121.69 | 11.00 | 2.199 |
| 1172.67 | 11.50 | 2.333 |
| 1223.66 | 12.00 | 2.489 |
| 1274.65 | 12.50 | 2.625 |
| 1325.63 | 13.00 | 2.826 |
| 1331.75 | 13.06 | Termination of Trial |

FIRE DECK

Unit 18 Smeaton Road, Portway West Business Park,
Andover, Hampshire, SP10 3LF t 01264 359984
www.firedecking.co.uk

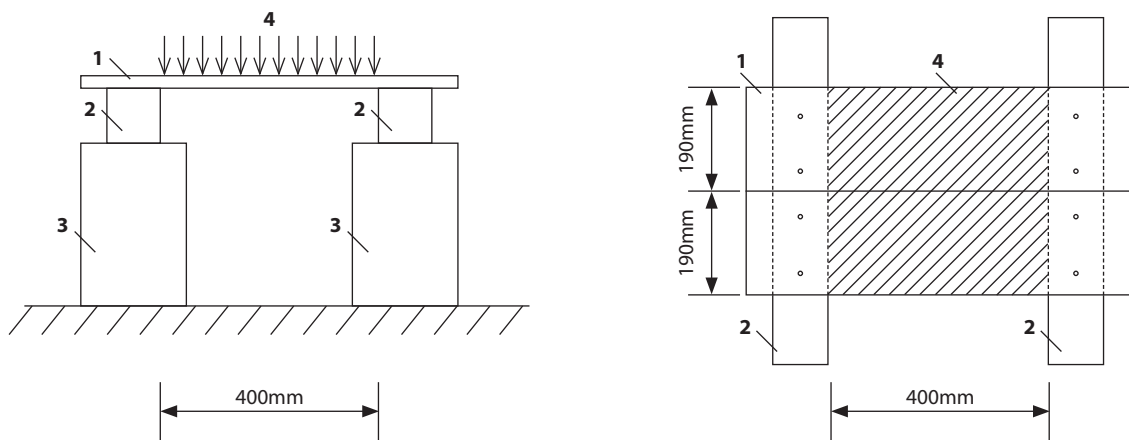


CDECK

LOAD TEST

PAGE 2 OF 2

TEST LOADING SCHEMATIC DIAGRAM

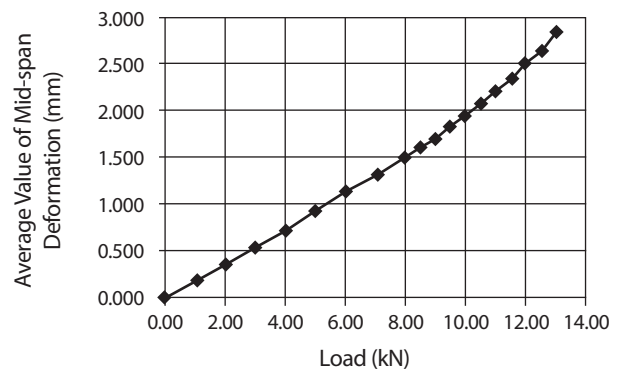


1-Trestle Board Specimen. 2-Skeleton. 3-Rigid Support. 4-Uniform Load.



TEST PICTURE
Measured failure load

SPECIMEN LOAD - DEFORMATION CURVE GRAPH



FIRE DECK

Unit 18 Smeaton Road, Portway West Business Park,
Andover, Hampshire, SP10 3LF t 01264 359984
www.firedecking.co.uk

